

Additional Deck Form

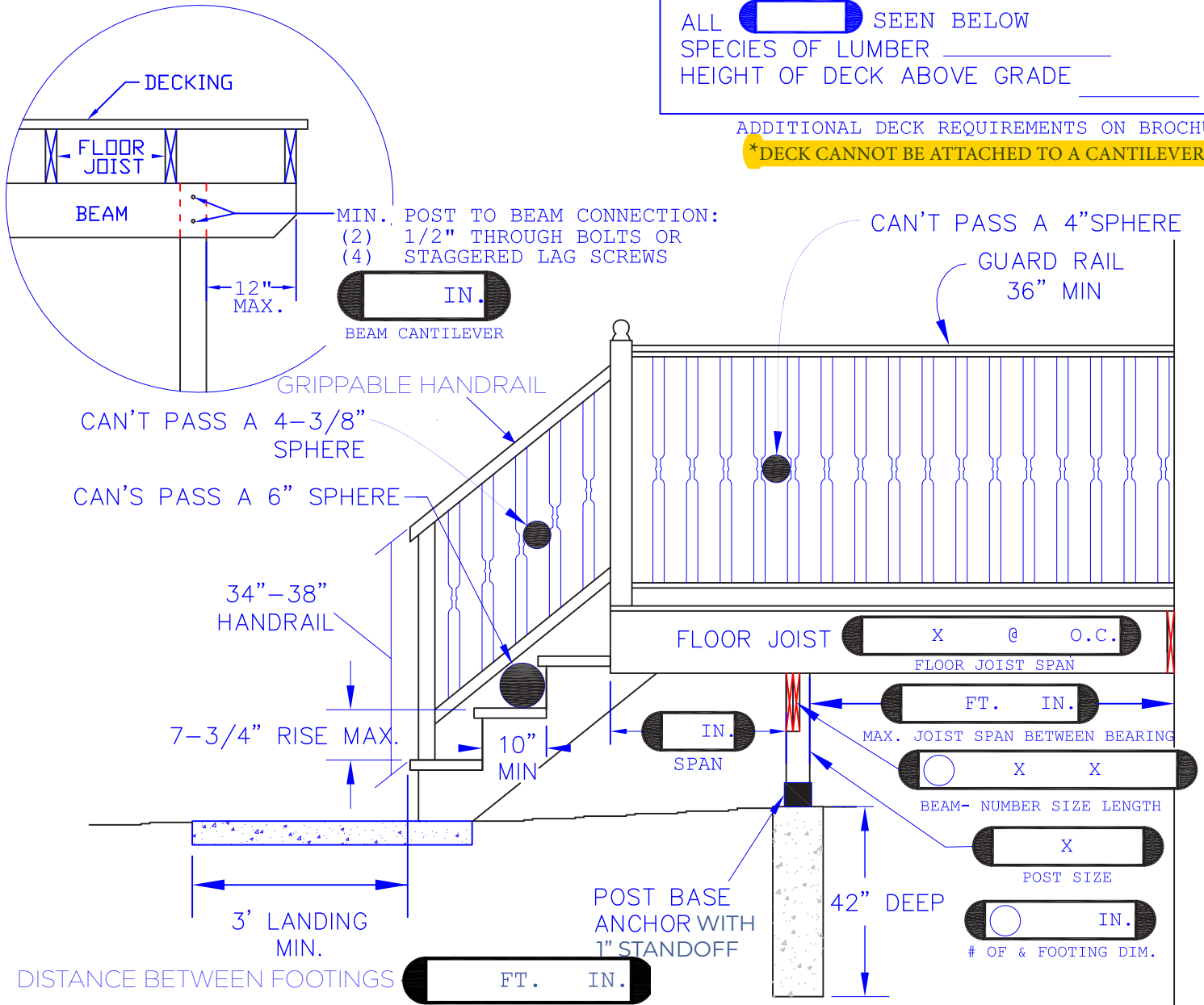


REQUIRED INFORMATION

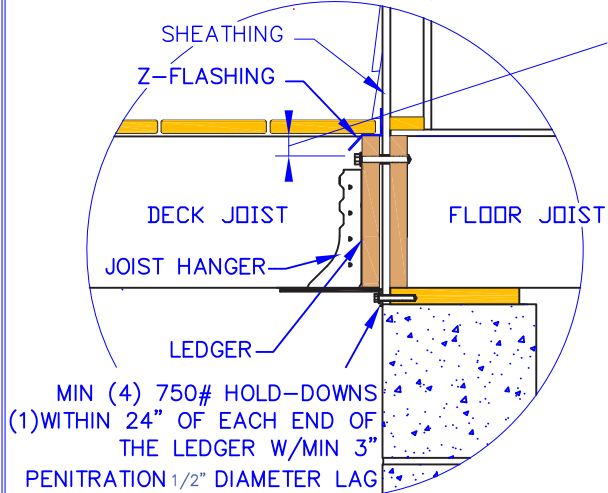
ALL  SEEN BELOW
 SPECIES OF LUMBER _____
 HEIGHT OF DECK ABOVE GRADE _____

ADDITIONAL DECK REQUIREMENTS ON BROCHURE

***DECK CANNOT BE ATTACHED TO A CANTILEVER**

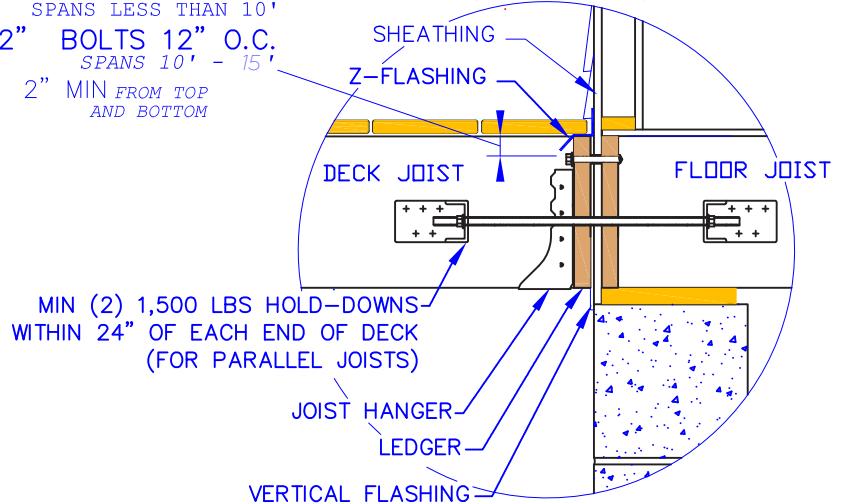


DECK ATTACHMENT (OPTION 1)



1/2" BOLTS 16" O.C.
 SPANS LESS THAN 10'
 1/2" BOLTS 12" O.C.
 SPANS 10' - 15'
 2" MIN FROM TOP AND BOTTOM

DECK ATTACHMENT (OPTION 2)



Deck Floor/Footing Plan

A large grid of yellow graph paper, consisting of 20 columns and 30 rows of small squares, intended for drawing a deck floor or footing plan.

For additional information and requirements, please reference the deck form brochure or call the Community Development Department at (402) 593-6400.